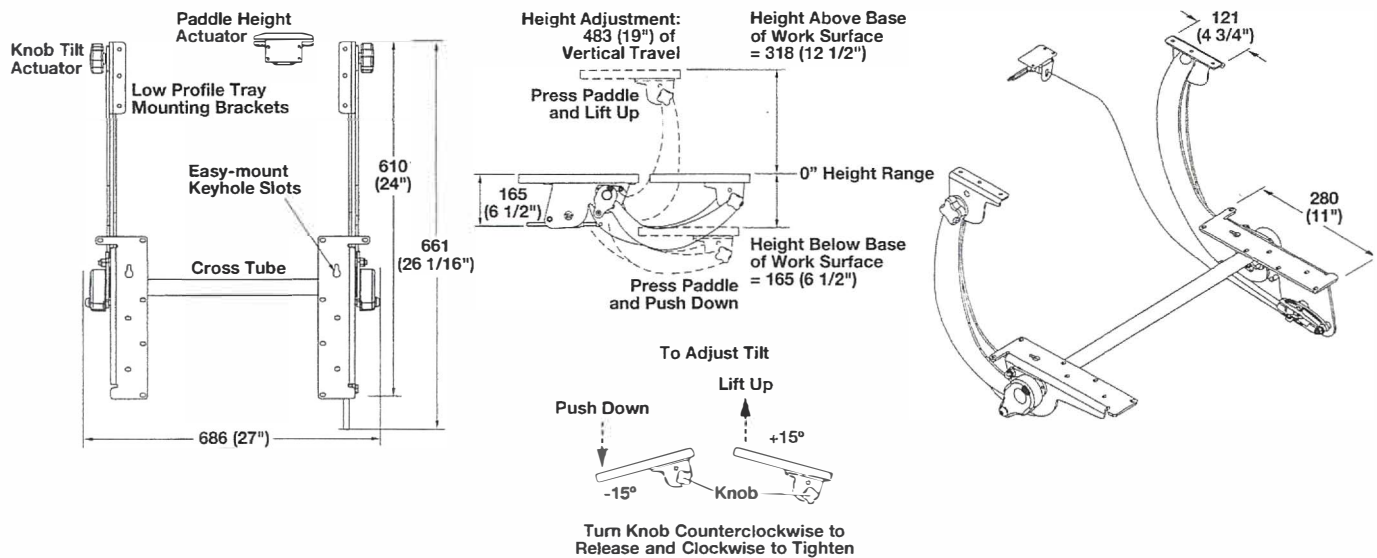
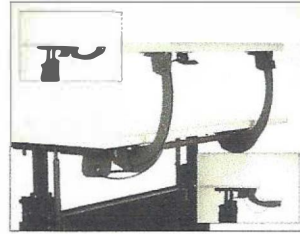


- The Duet Arm is a highly stable sit-to-stand unit, which provides an increased work surface area
- This revolutionary product with its sleek design permits the addition of a fully adjustable secondary work surface to most fixed or height adjustable tables
- Offers easy height and tilt changes
- For heavy-use typing/data entry, multi-users or commercial/industrial installations
- Meets or exceeds ANSI/BIFMA requirements
- Other widths available upon request
- New and improved spring brake mechanism accommodates heavier loads
- Load rating: Counter-balance: 30 lbs.  
Total weight capacity of locking function: 150 lbs.



### Keyboard Arm - Duet 27" Sit-to-Stand

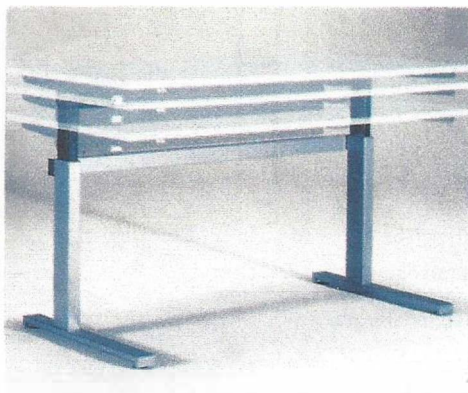
- With dual arms to support large platforms
- Paddle actuator for single hand height adjustment
- Knob for independent  $\pm 15^\circ$  tilt adjustment

Material: Steel, epoxy-coated

Color	Item No.
black	632.68.340

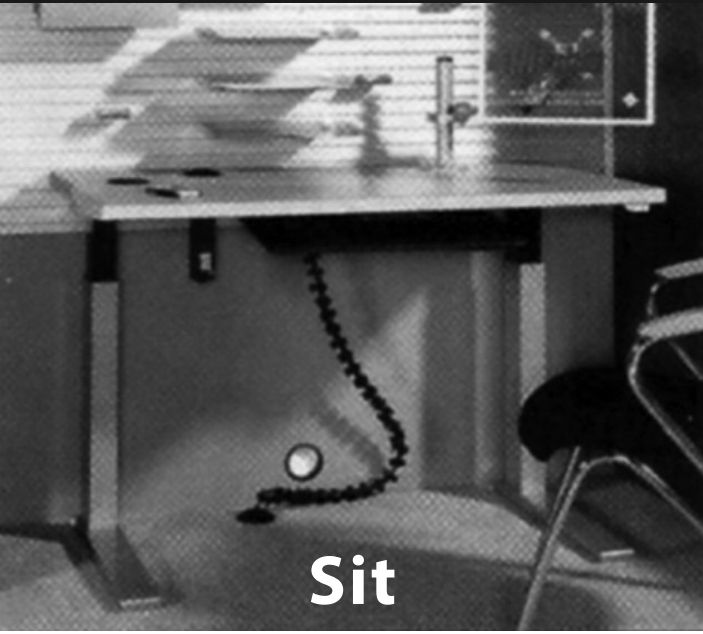
#### Note

Platform to be provided by end user: Min. depth = 305 mm (12"); Max. depth = 457 mm (18")

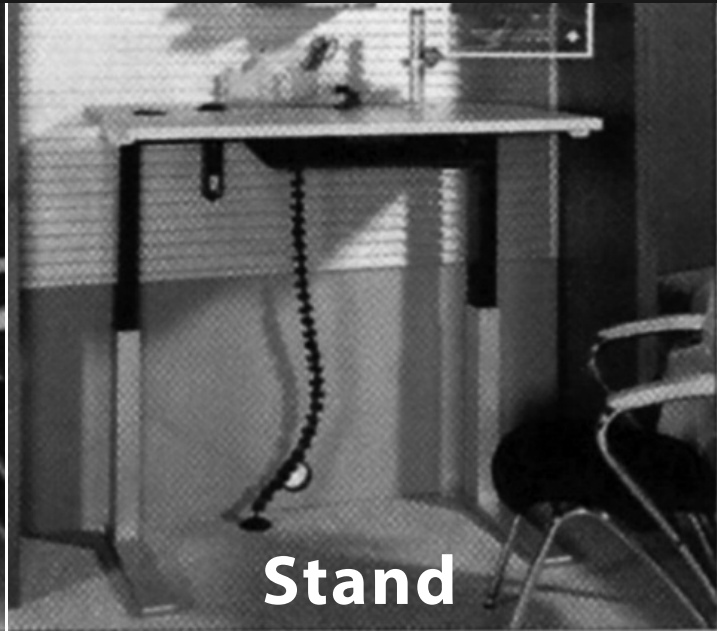


**Sit to Stand Systems**  
 Hydraulic or Electrical assist for quicker and greater range of adjustment.

# AdjusTableSystems

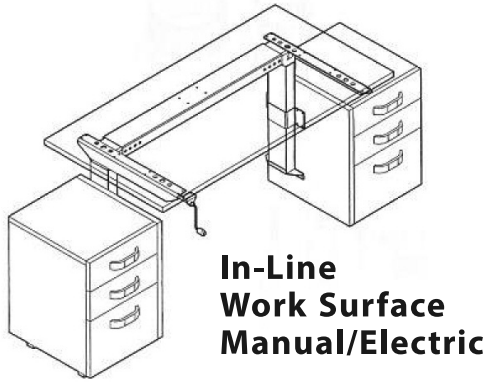


**Sit**

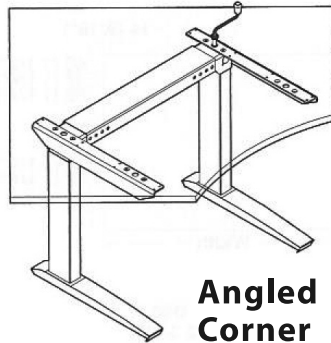


**Stand**

[hafele.com](http://hafele.com)



**In-Line Work Surface Manual/Electric**



**Angled Corner**



**Free Standing**

[viaseating.com](http://viaseating.com)



**Neva**



**Swopper**



**Muvman**



**3Dee**

**Sit/Stand with Movement**

 **techline**

DESIGN CENTER & SHOWROOM  
12221 Parklawn Dr., Ste. 100,  
Rockville, MD 20852

■ Media ■ Offices ■ Seating  
■ Bedrooms ■ Closets

30 Standard Finishes ■ Lifetime Guarantee



**(301) 770-1779** [techlinecabinetry.com](http://techlinecabinetry.com)